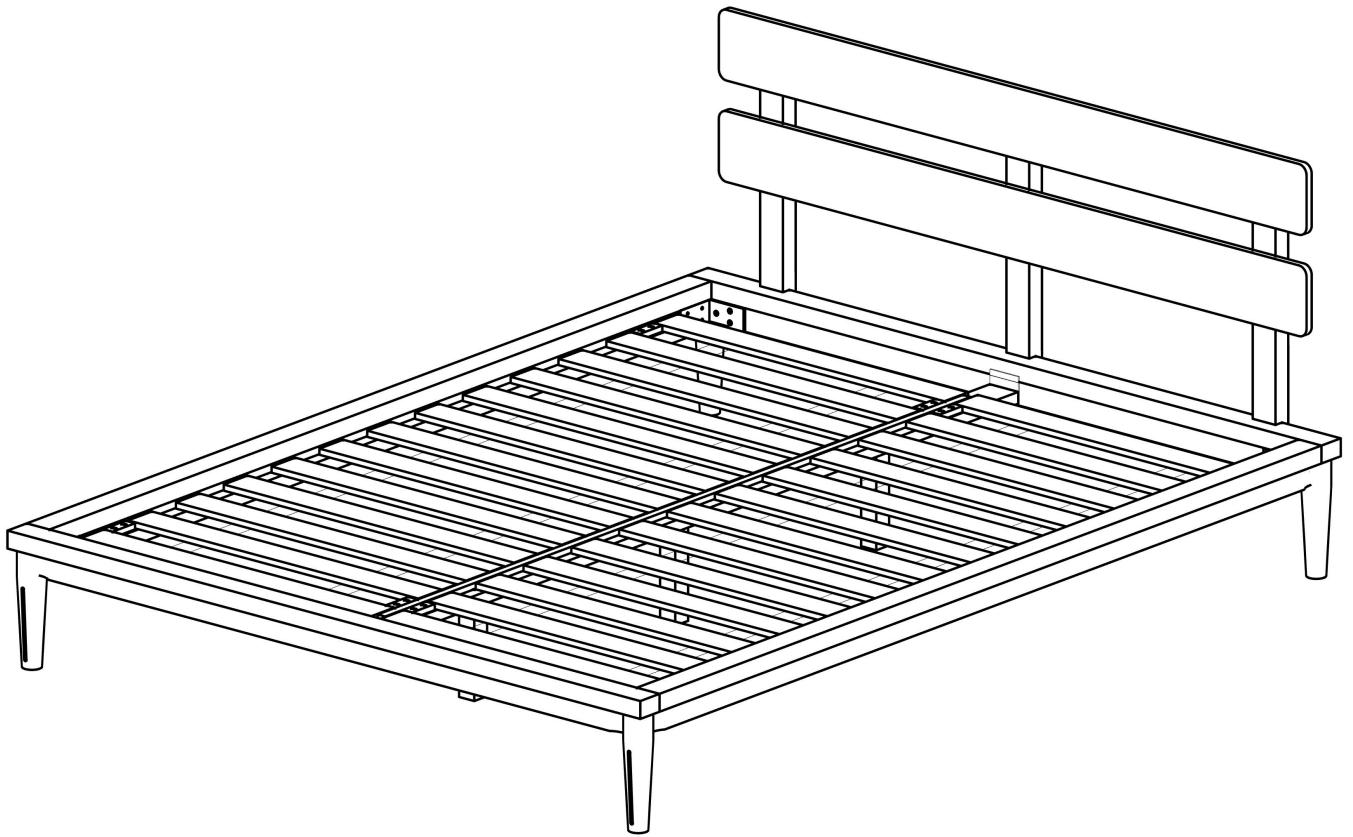
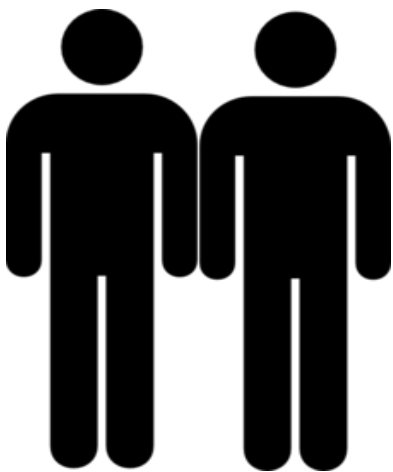


# ASSEMBLY INSTRUCTIONS



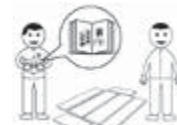
**BEELINE QUEEN SIZE BED**

**Product code:-HOBED00169**










**2 PEOPLE RECOMMENDED**

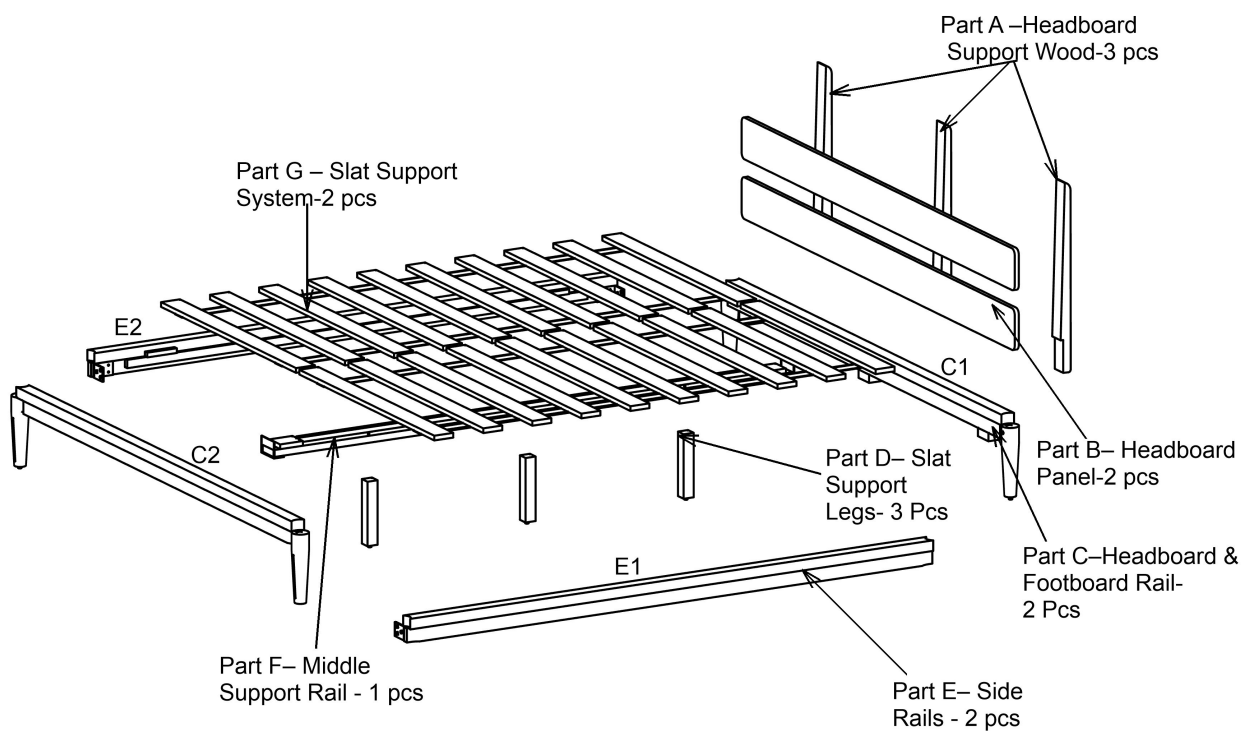
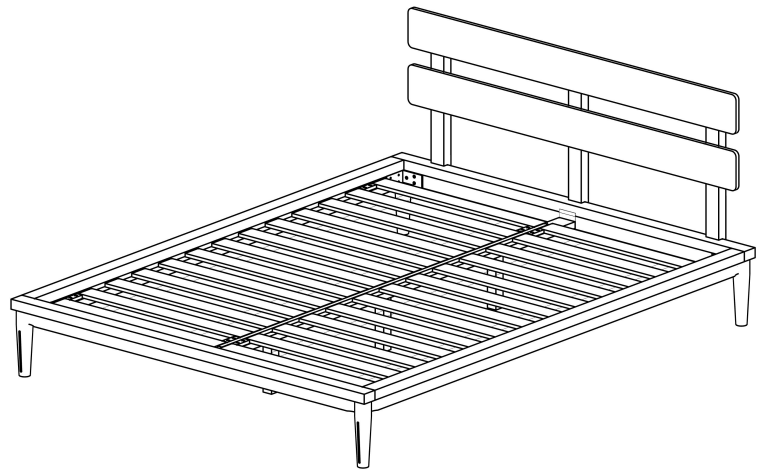
**Requirement for Assembly**



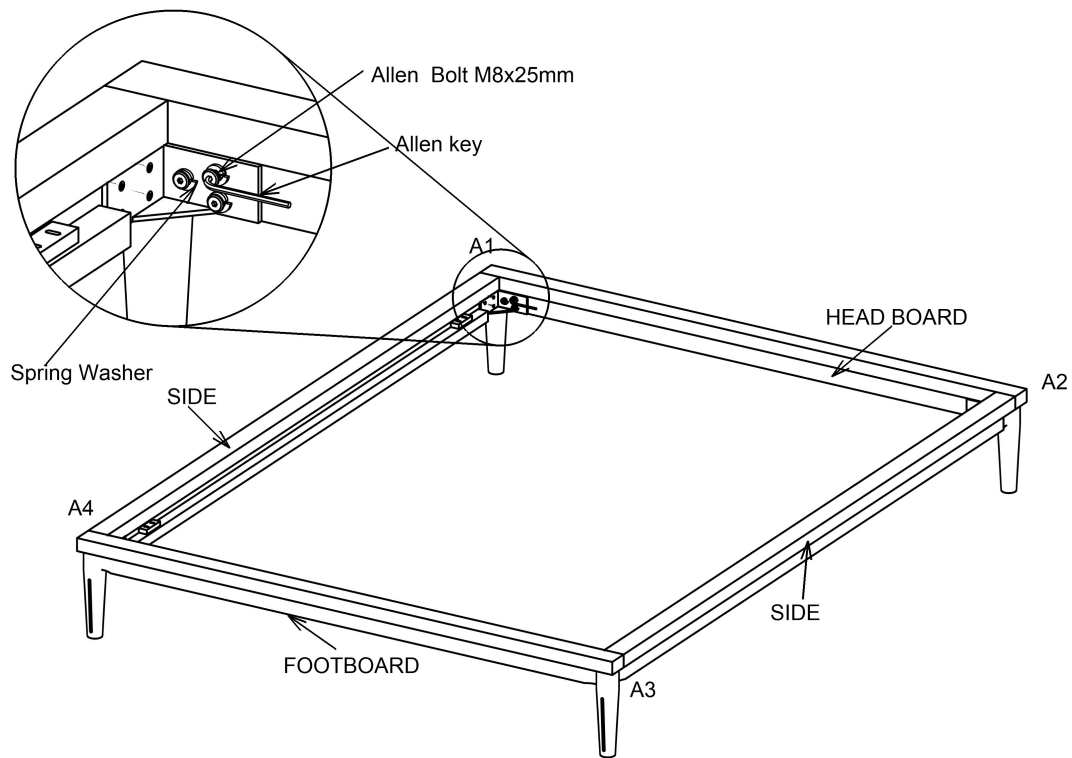
## HARDWARE INCLUDED

## ASSEMBLED BED IMAGE

	Allen Bolt M8x25mm	16 pcs
	Allen Bolt M8x50mm	18 pcs
	Allen Bolt M8x70mm	2 pcs
	Allen key	1 pcs
	Round Washer	20 pcs
	Spring Washer	16 pcs
	Screw 25 mm	28 pcs



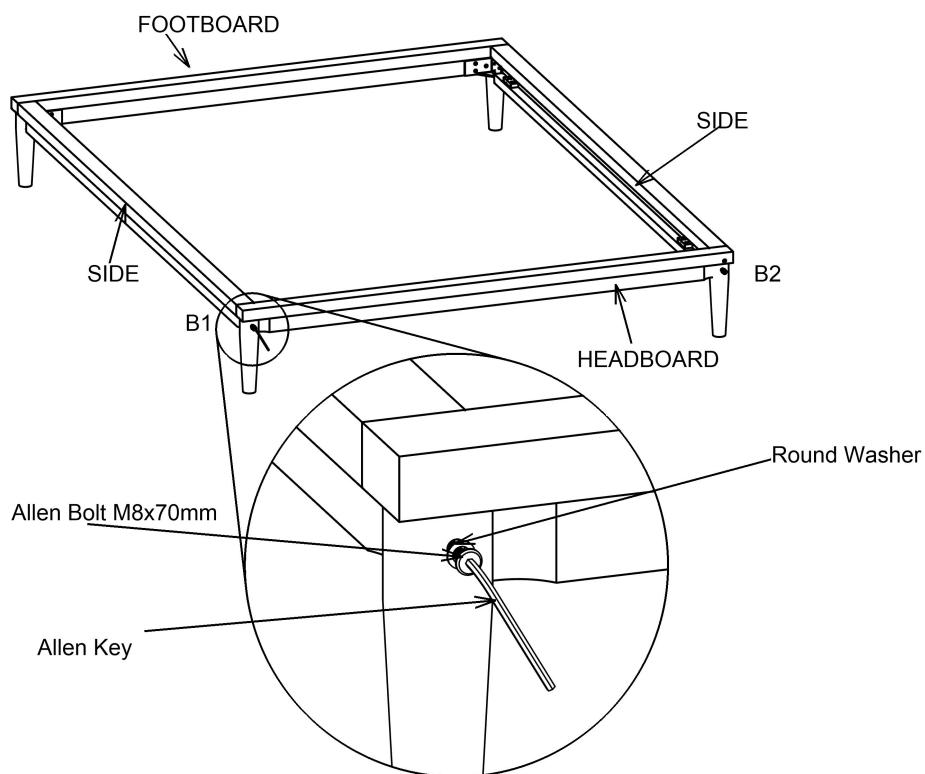
## STEP 01



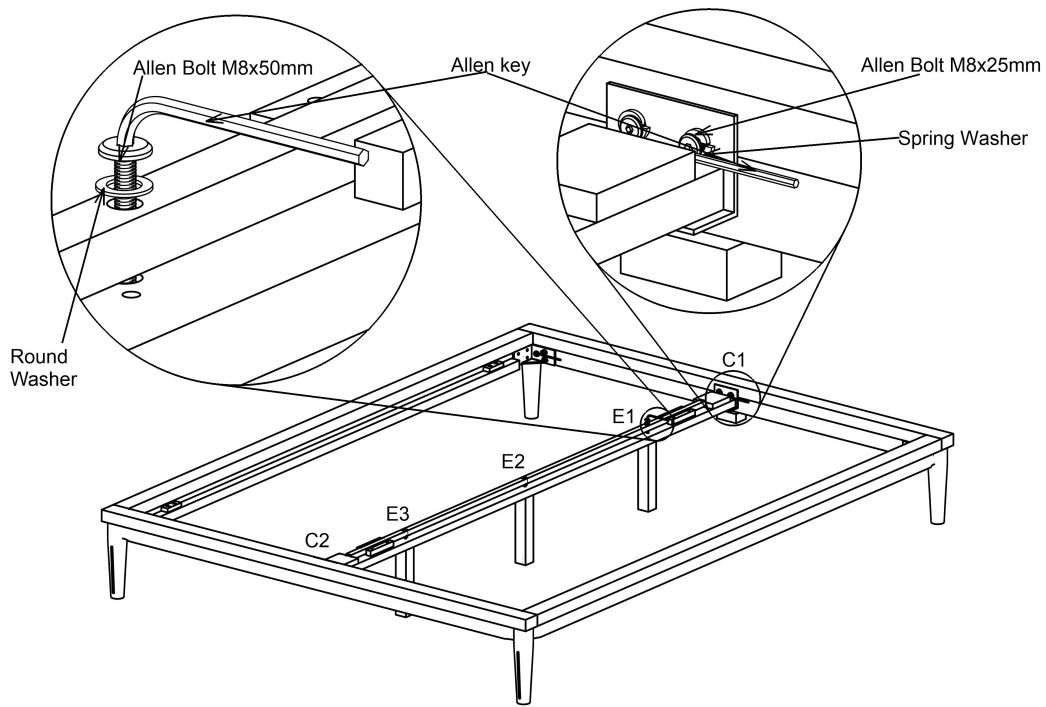
i) Lay out both Parts C and E to create your frame.

ii) On the inside of the frame, use a spring washer, followed by a M8 x 25mm bolt and loosely tighten with Allen key on all four corners (A1, A2, A3 and A4).

## STEP 02



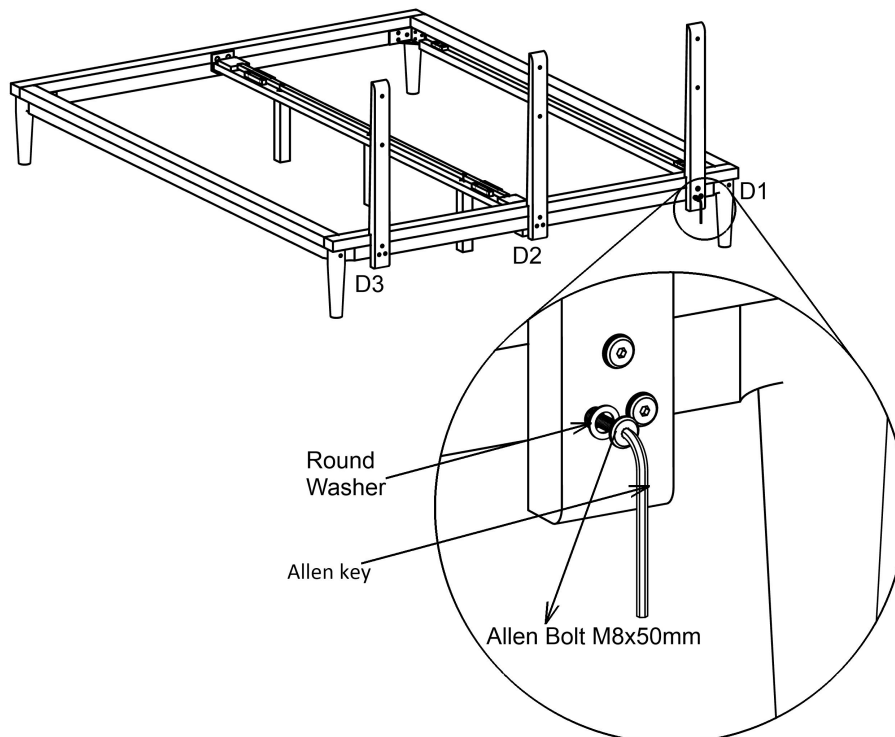
i) Insert round washer then loosely tighten M8 x 70mm Allen bolt to the backside of the headboard with the Allen key (B1 and B2).



### STEP 03

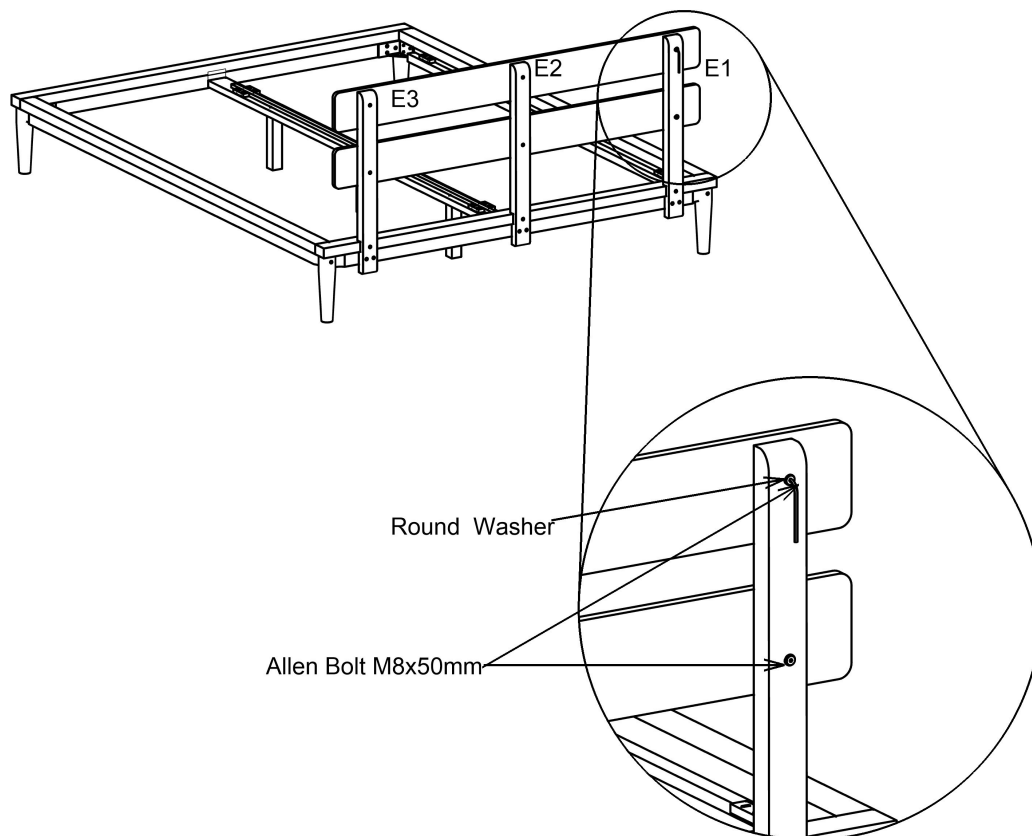
- i) Attach the middle support bar to the frame by inserting a spring washer then loosely tighten an Allen bolt M8 x 25mm with Allen key.
- ii) Attach middle support legs to the support bar by inserting a round washer then loosely tighten with M8 x 50mm Allen bolt with the Allen key (C1, C2 and E1, E2 and E3).

### STEP 04



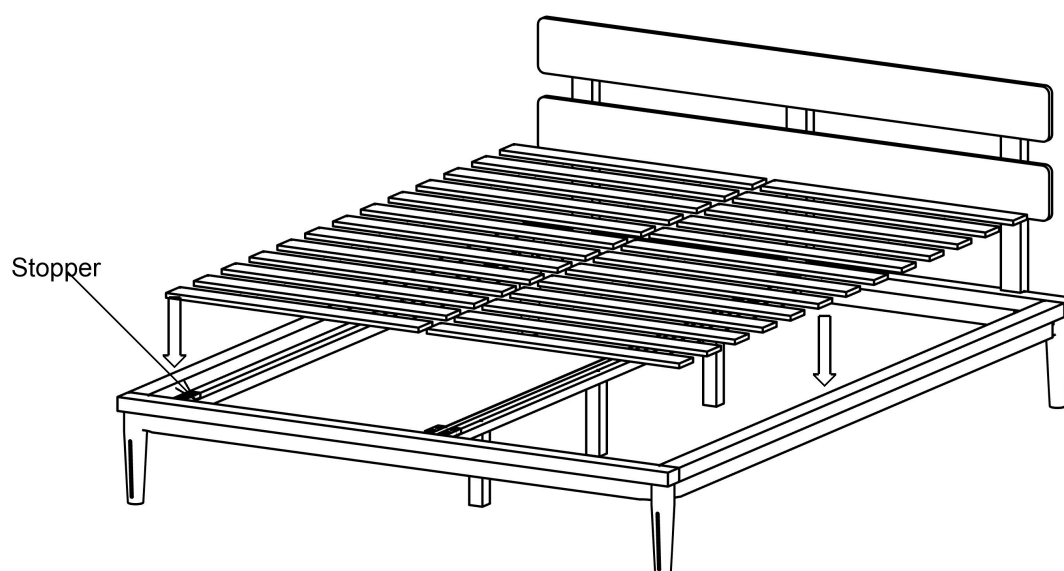
- i) Attach Part A (headboard support) by inserting a round washer then loosely tighten with Allen bolt M8 x 50mm using the Allen key(D1, D2 and D3).

## STEP 05



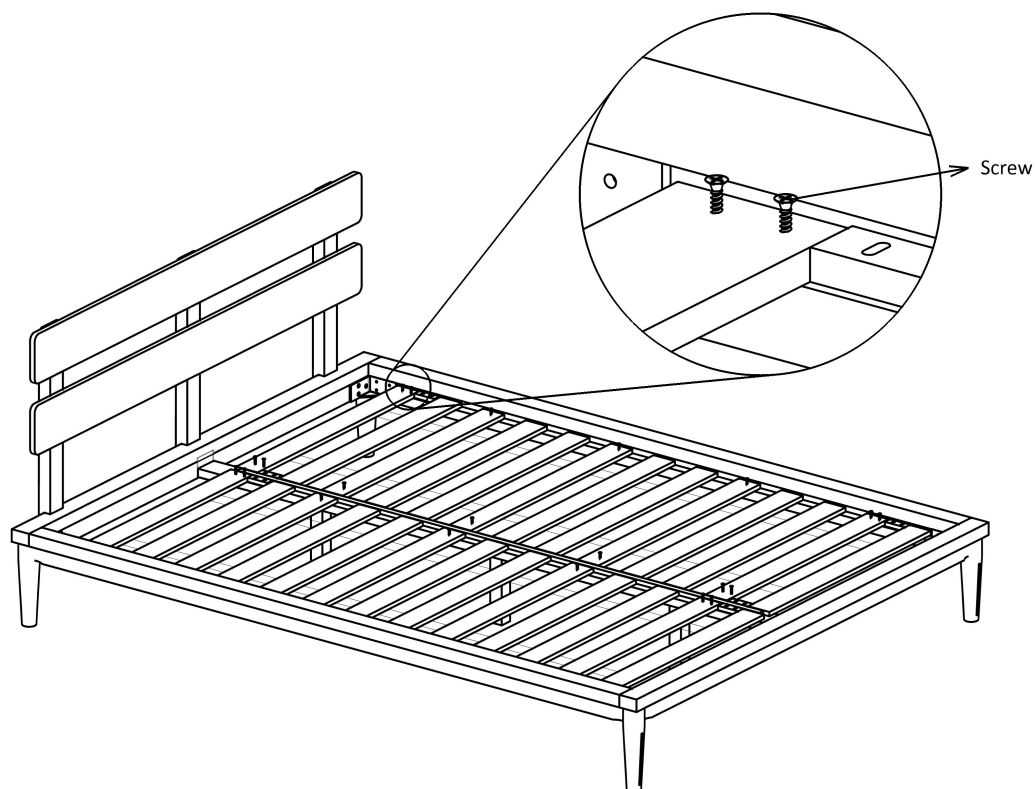
- i) Attach Part B (headboard) to each of the Part A (headboard support) pieces by inserting a Round washer and Allen bolt M8 x 50mm loosely tighten with an Allen key (E1, E2 and E3).NOW, FULLY TIGHTEN ALL THE ALLEN BOLT USING ALLEN KEY.

## STEP 06



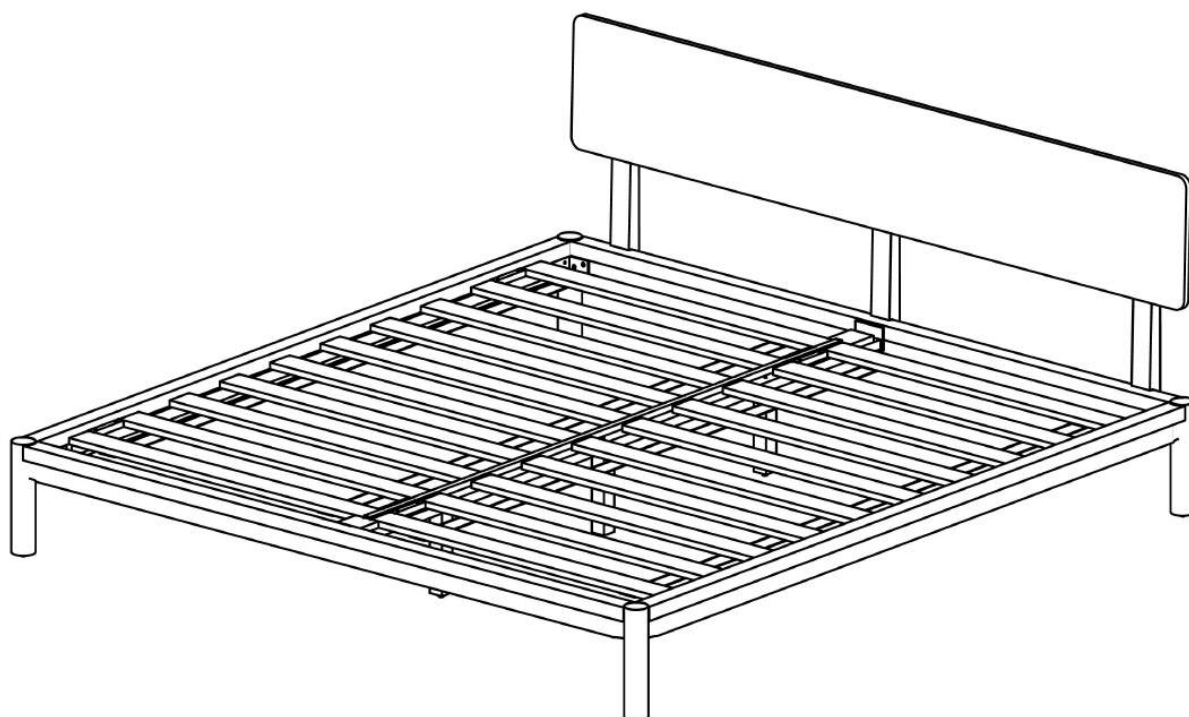
- i) Lay down slats into the frame.

## STEP 07



- i) Now fix screw at 1st,3rd,6th,9th and 12th slates as shown in fig.  
(1st and 12th slate are fixed with two screws and remaining are fixed by single screw.)

## STEP 08



- i) Place your mattress on top of slats and your bed is ready to use.



## **Wood Characteristics**

Wood is a natural product and will be unique based on knots and wood grains. Environmental factors influence the wood's characteristics. Although knots and grains may be visible, they are not considered blemishes but proof of high quality and the individual nature of each piece.

Naturally, wood will expand and contract throughout the year and will acclimate itself to its environment in your home. This is completely normal and expected due to natural materials being used

## **Caring for your furniture**

-As a new piece in your home, its initial shade will vary based on batches. All wood surfaces will change color and mellow over time. Color and finish variances may be minimally visible based on the manufacturing process.

-Do not use abrasive cleaners on your product. Instead, use a dust cloth.

-Make sure to always use coasters, trivets and mats to avoid staining the woods surface.

-Avoid sharp items from touching or penetrating your furniture and recommend placing a mat under your paper when writing.

-Wipe up liquids immediately to avoid staining with an absorbent cloth.

-Periodically tighten bolts and screws as they may become loose over time.

-Do not attempt to lift heavy furniture by yourself, always ask for help.

-Avoid placing your item next to space heaters, radiators or any sources of fire as wood items may crack or split.

-When taken care of correctly, your hand-crafted furniture will last for years to come.